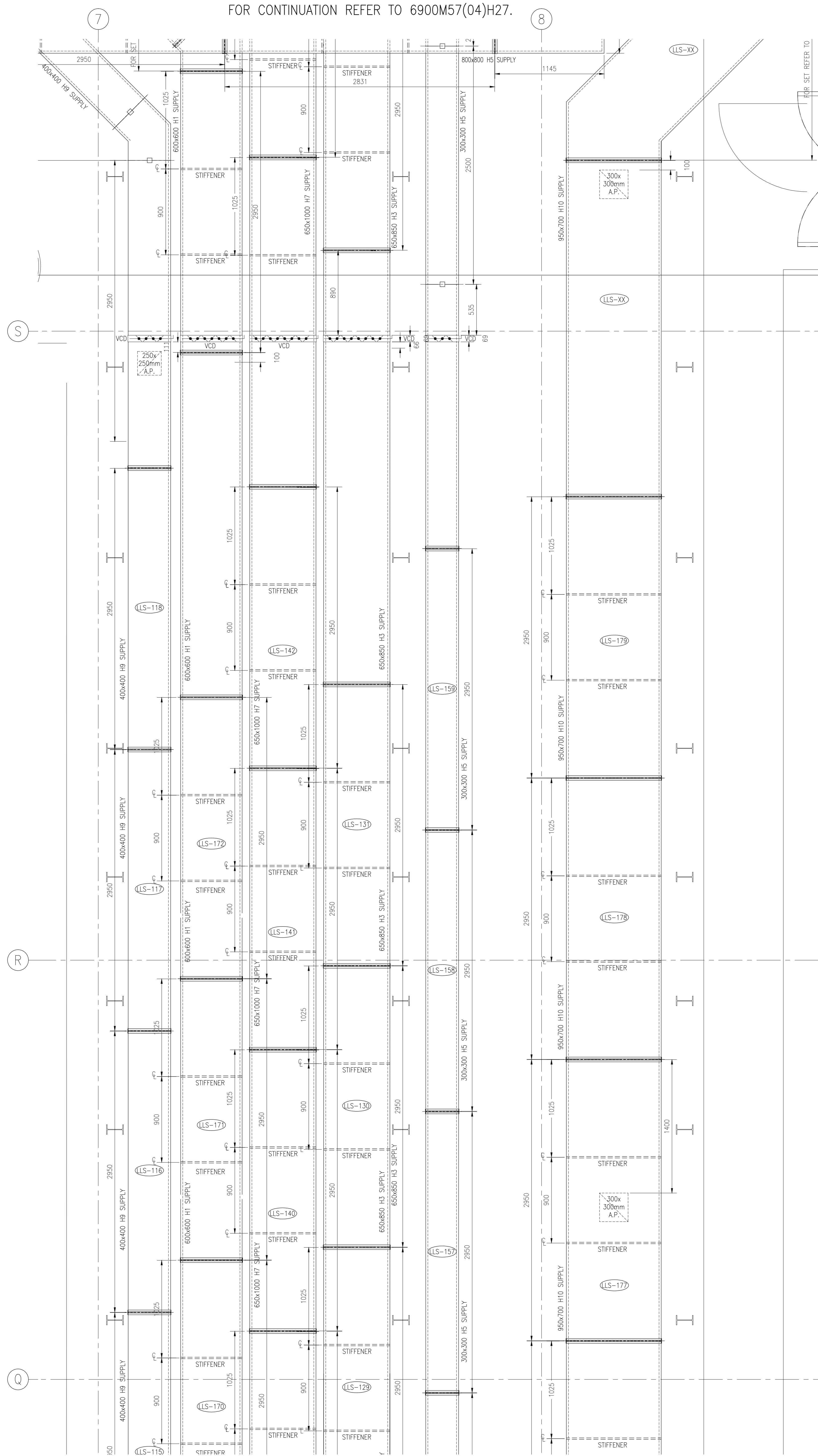
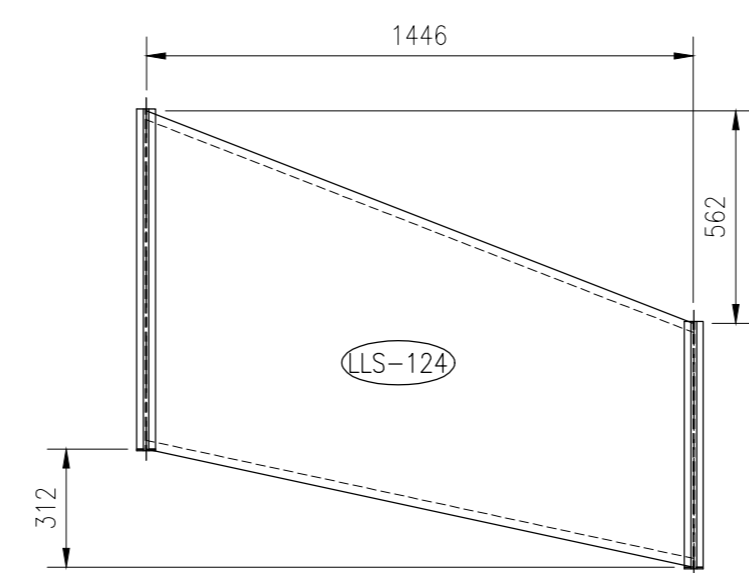


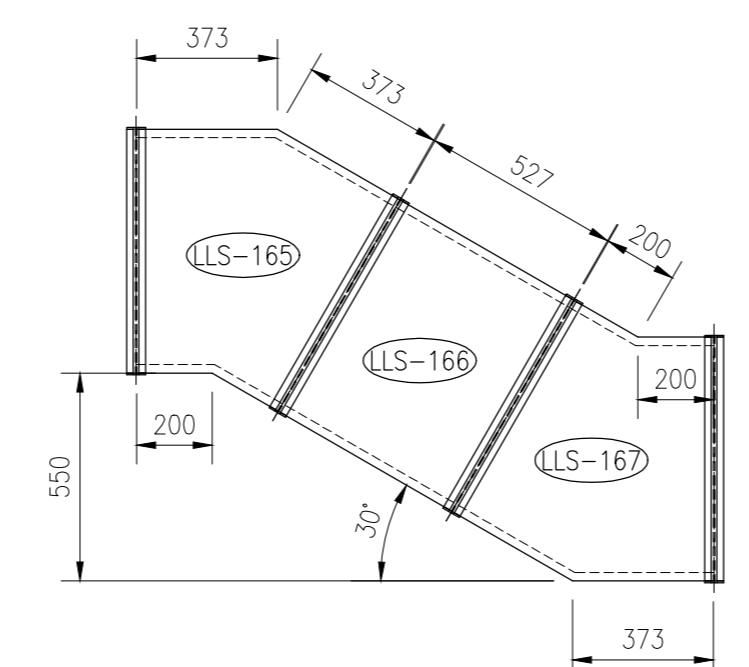
FOR CONTINUATION REFER TO 6900M57(04)H27.



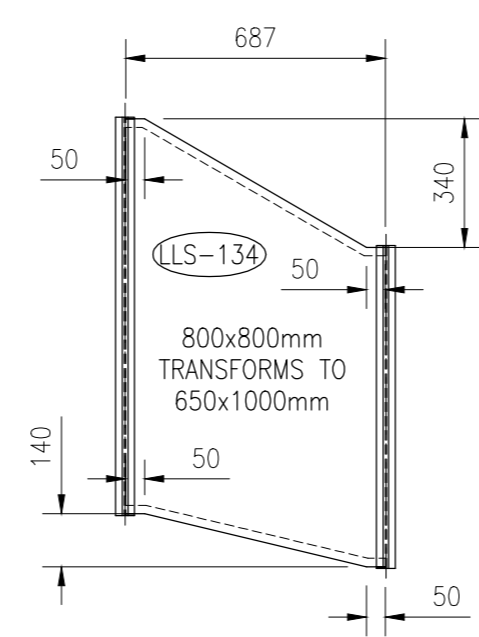
FOR CONTINUATION REFER TO RIGHT.



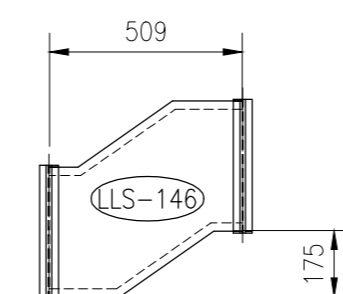
SET UP DETAIL 'P1'  
(TO BE SITE MEASURED)



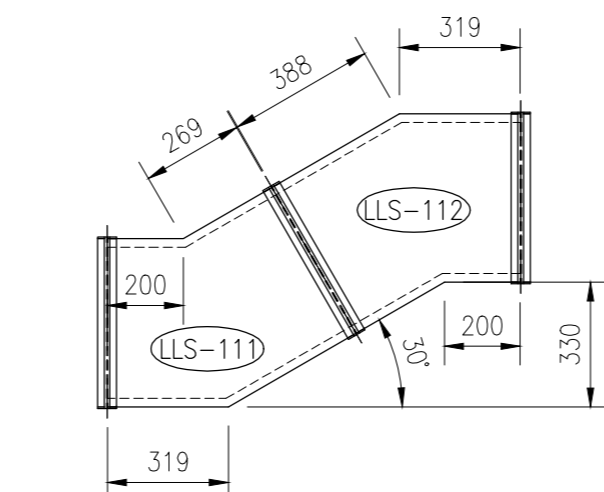
SET UP DETAIL 'Q1'  
(TO BE SITE MEASURED)



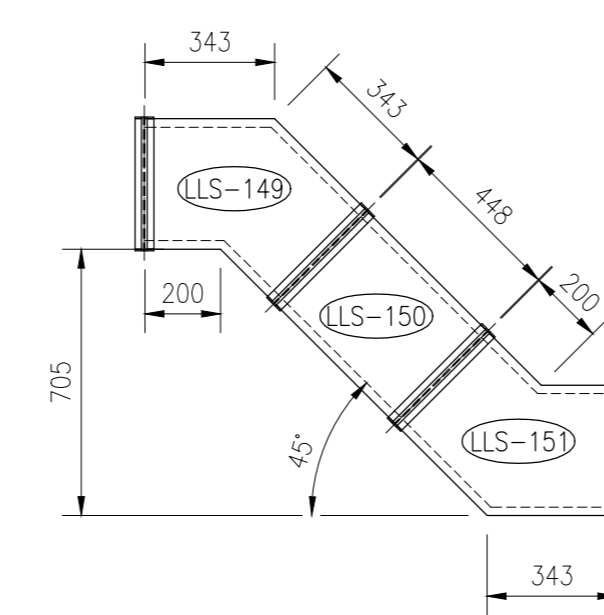
SET UP DETAIL 'F1'  
(TO BE SITE MEASURED)



SET UP DETAIL 'N1'  
(TO BE SITE MEASURED)

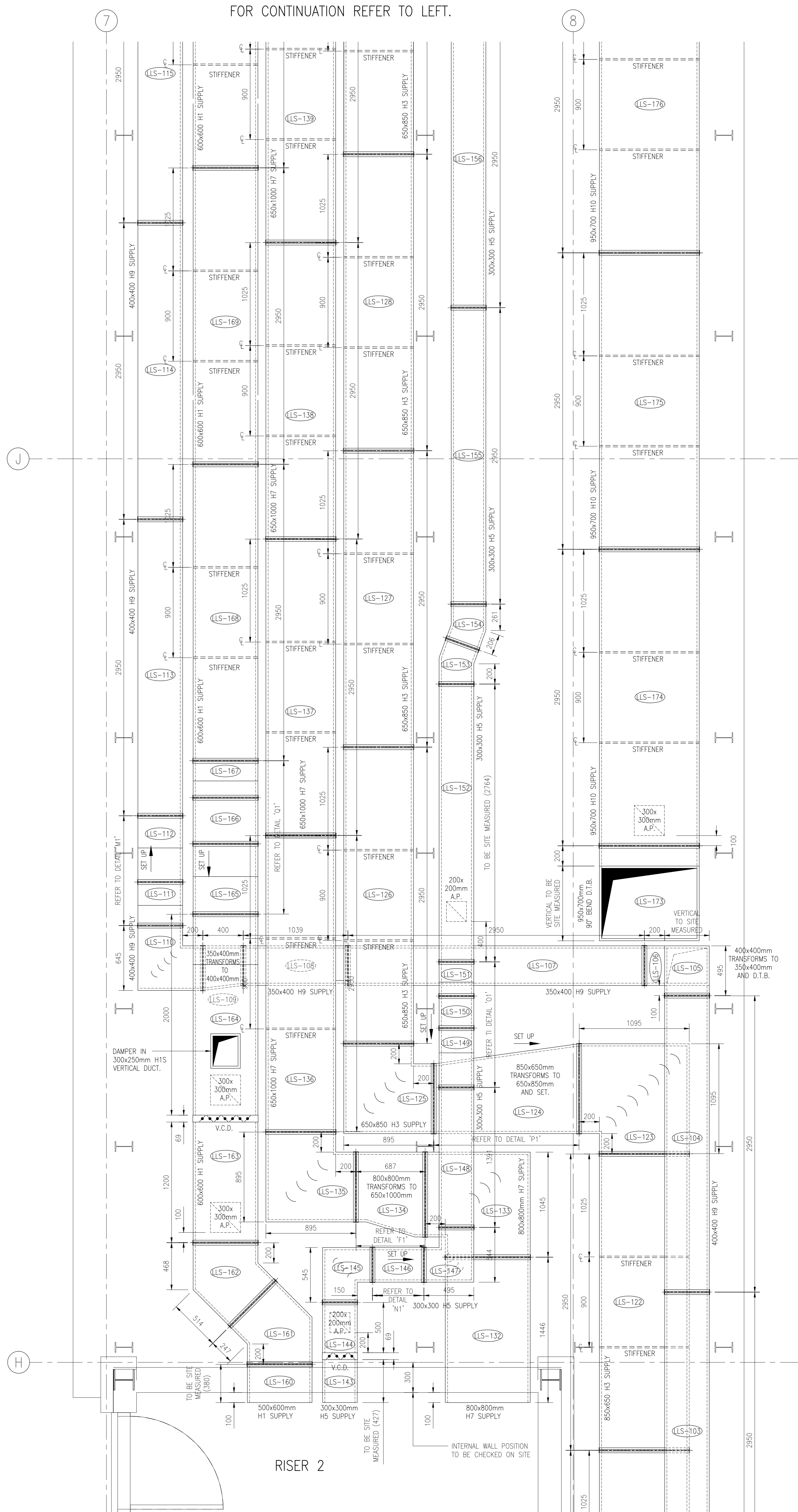


SET UP DETAIL 'M1'  
(TO BE SITE MEASURED)



SET UP DETAIL 'O1'  
(TO BE SITE MEASURED)

FOR CONTINUATION REFER TO LEFT.



FOR CONTINUATION REFER TO 6900M57(04)H30.