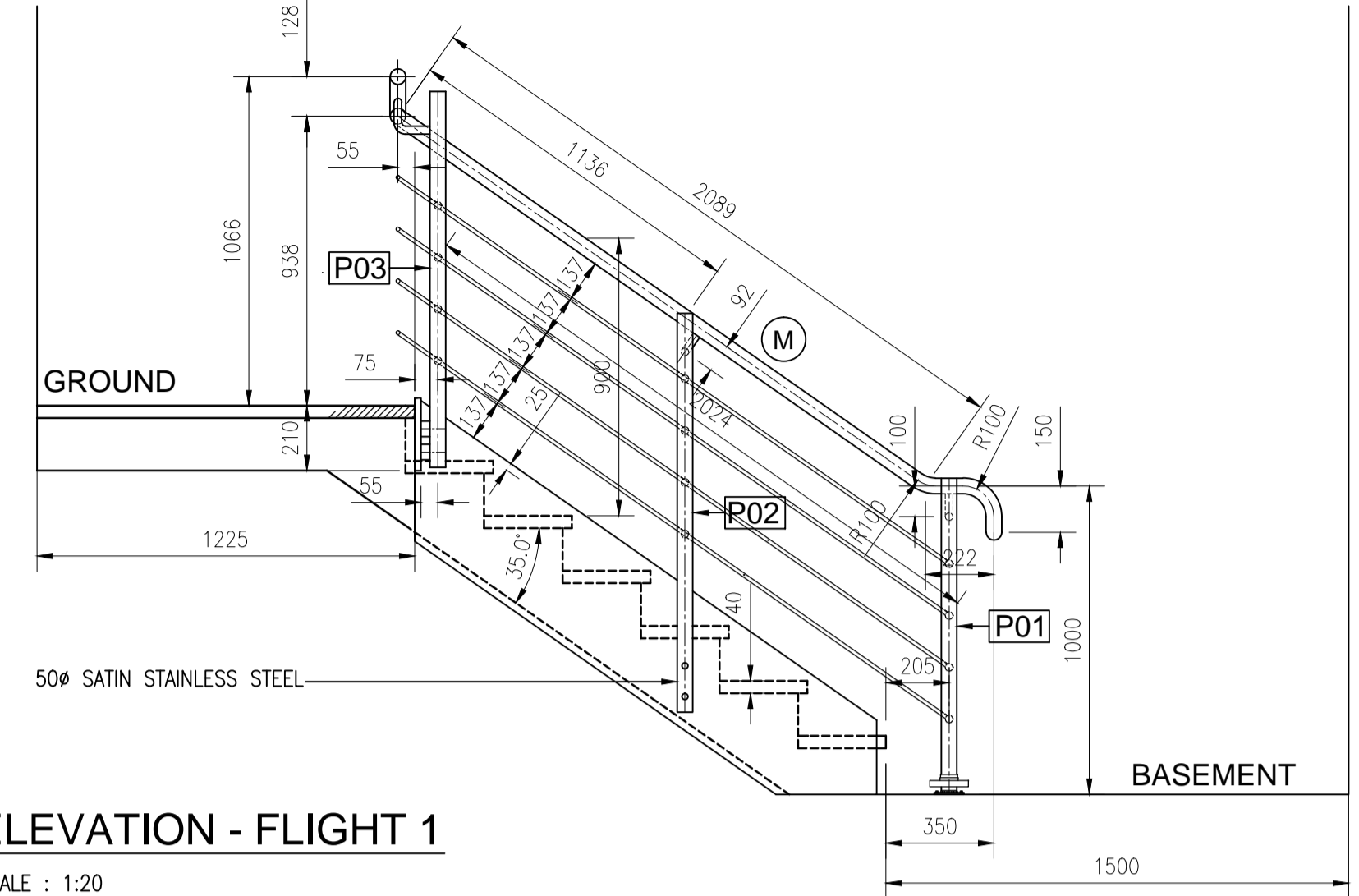
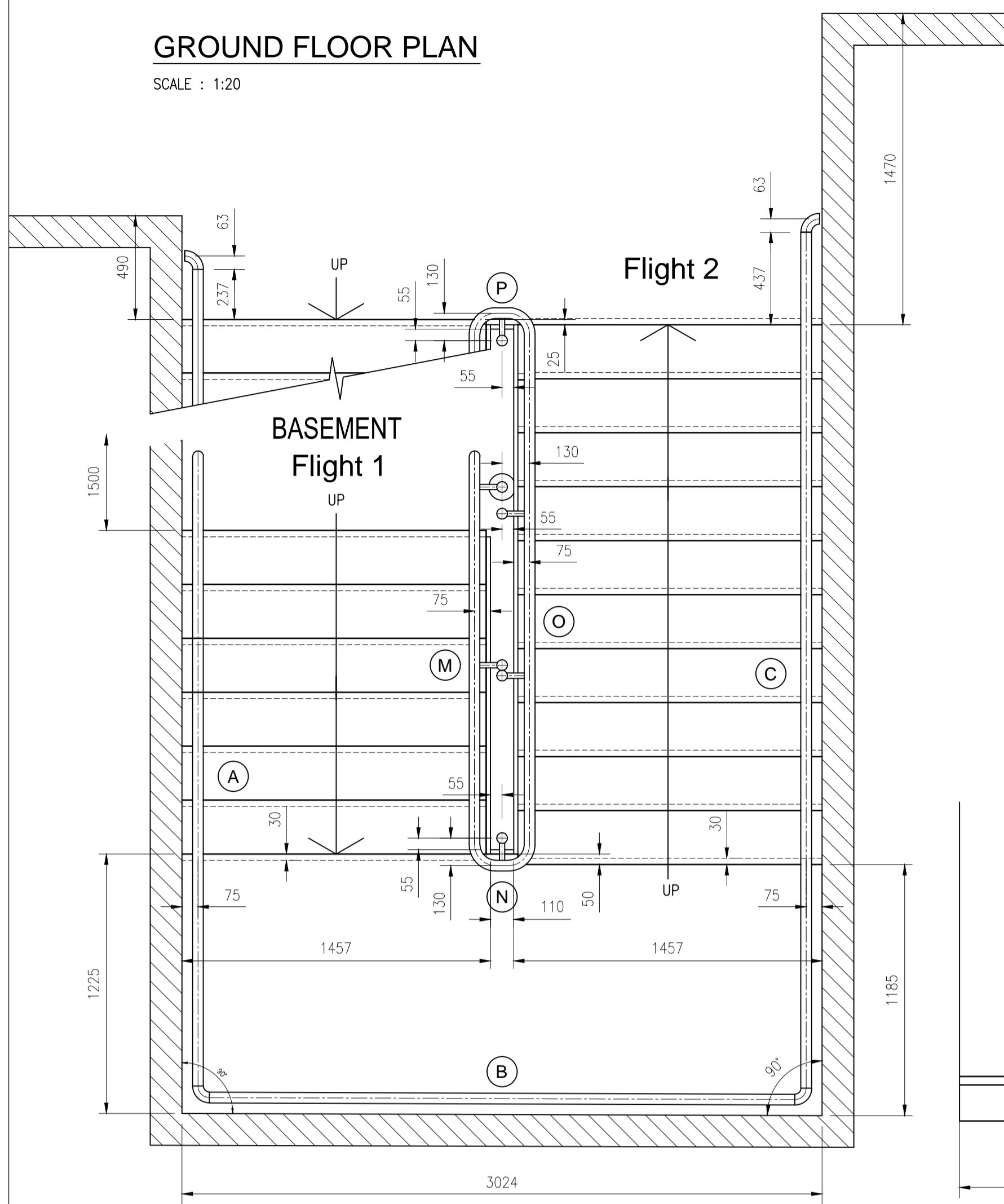


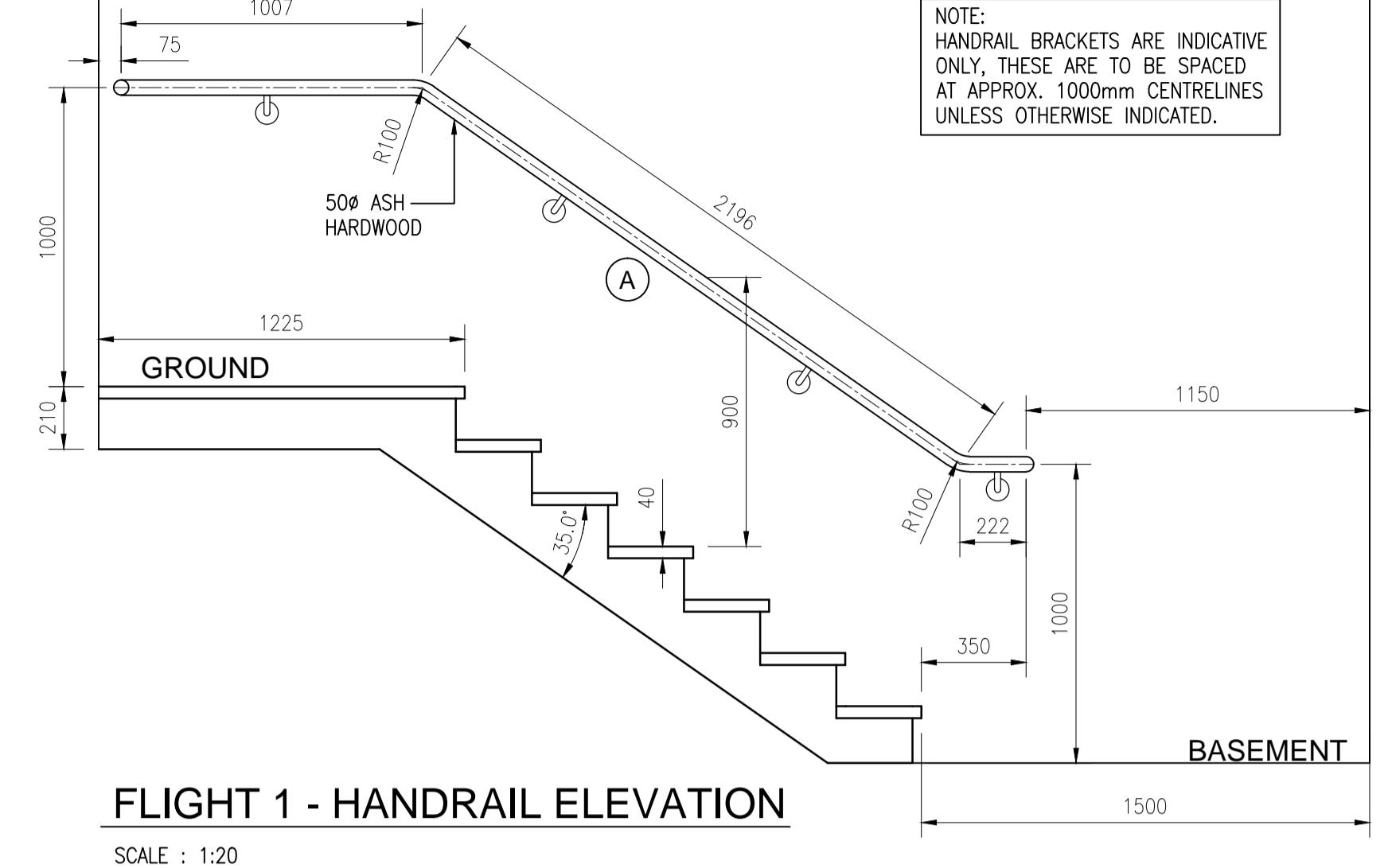
GROUND FLOOR PLAN

SCALE : 1:20



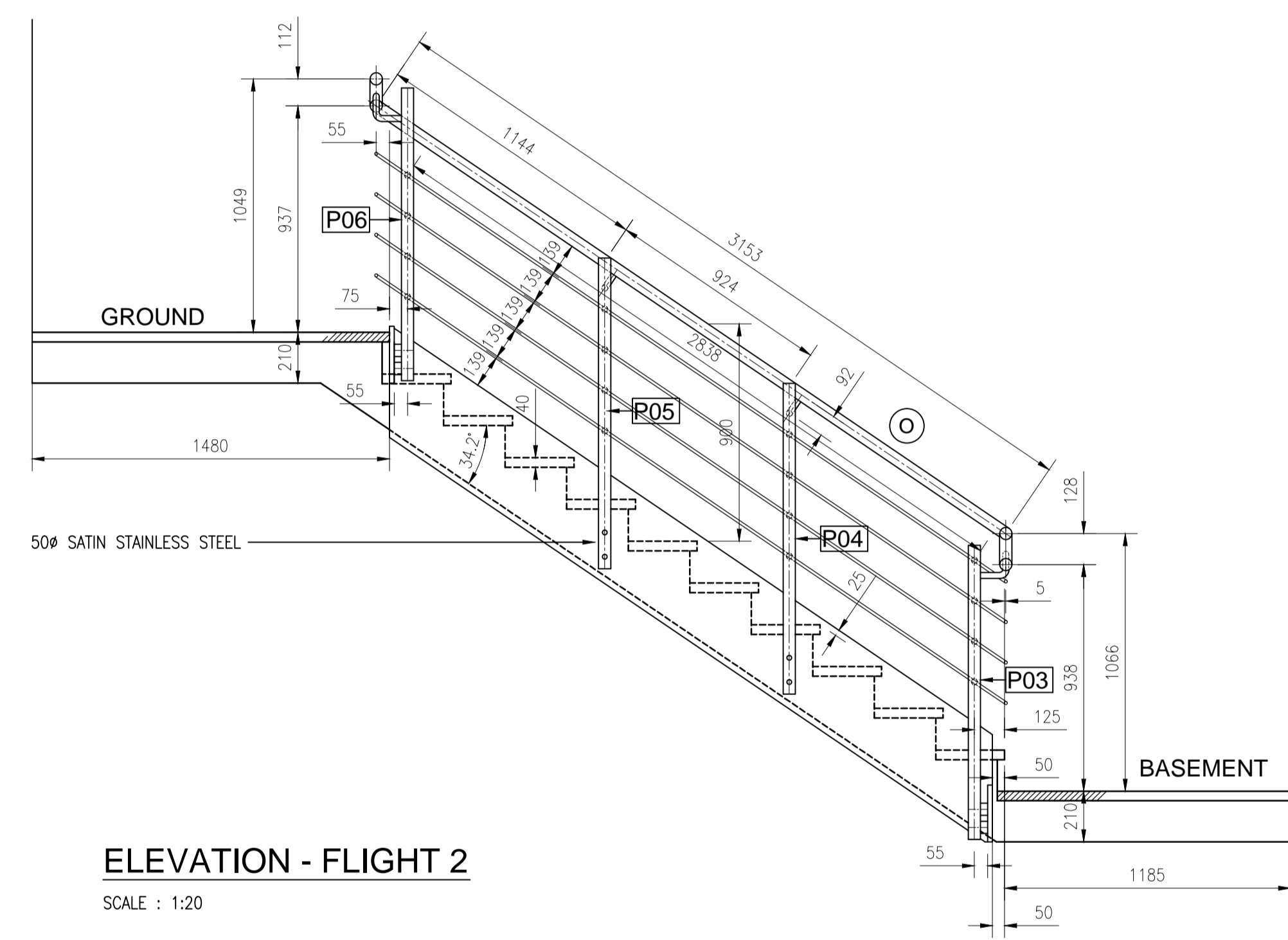
ELEVATION - FLIGHT 1

SCALE : 1:20



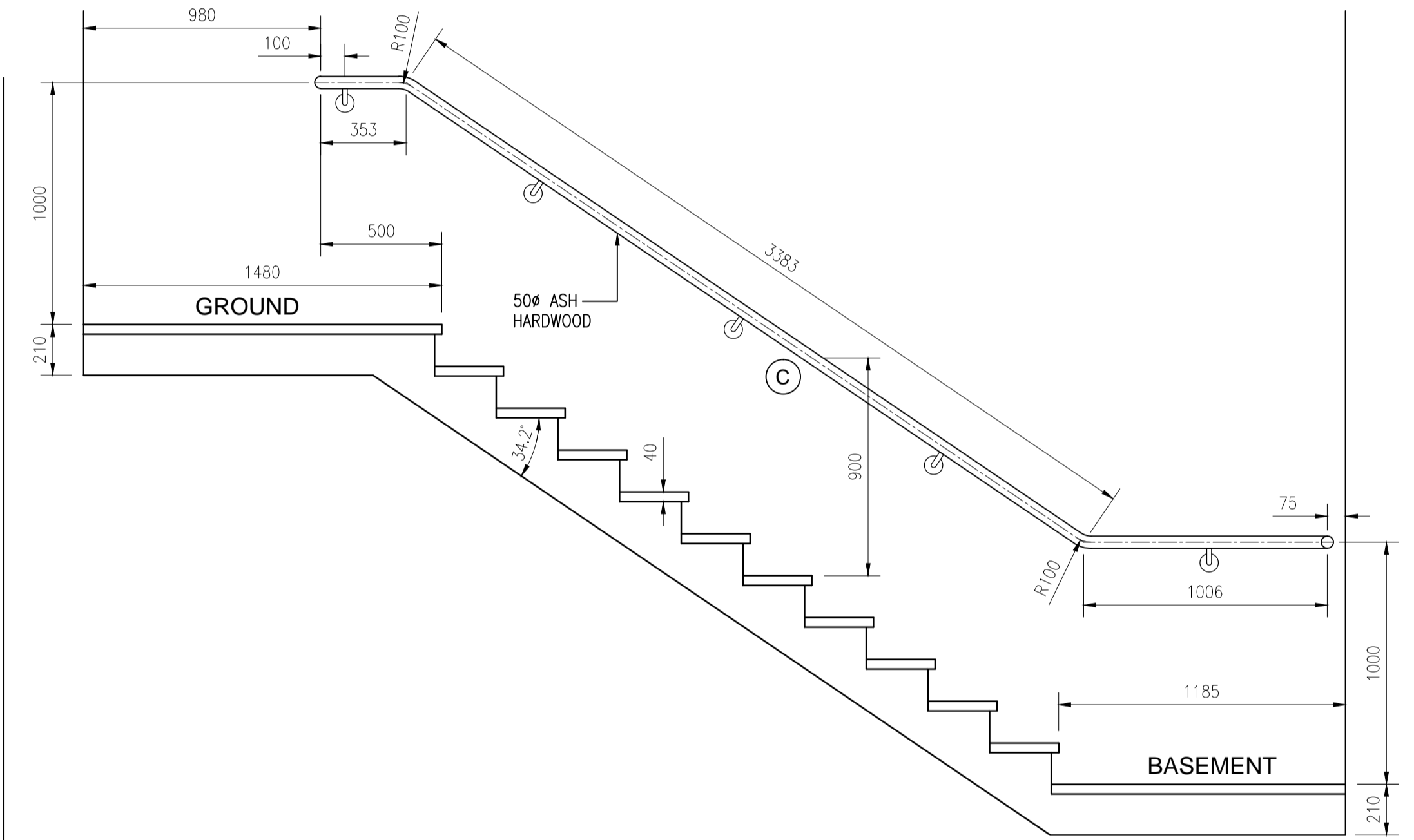
FLIGHT 1 - HANDRAIL ELEVATION

SCALE : 1:20



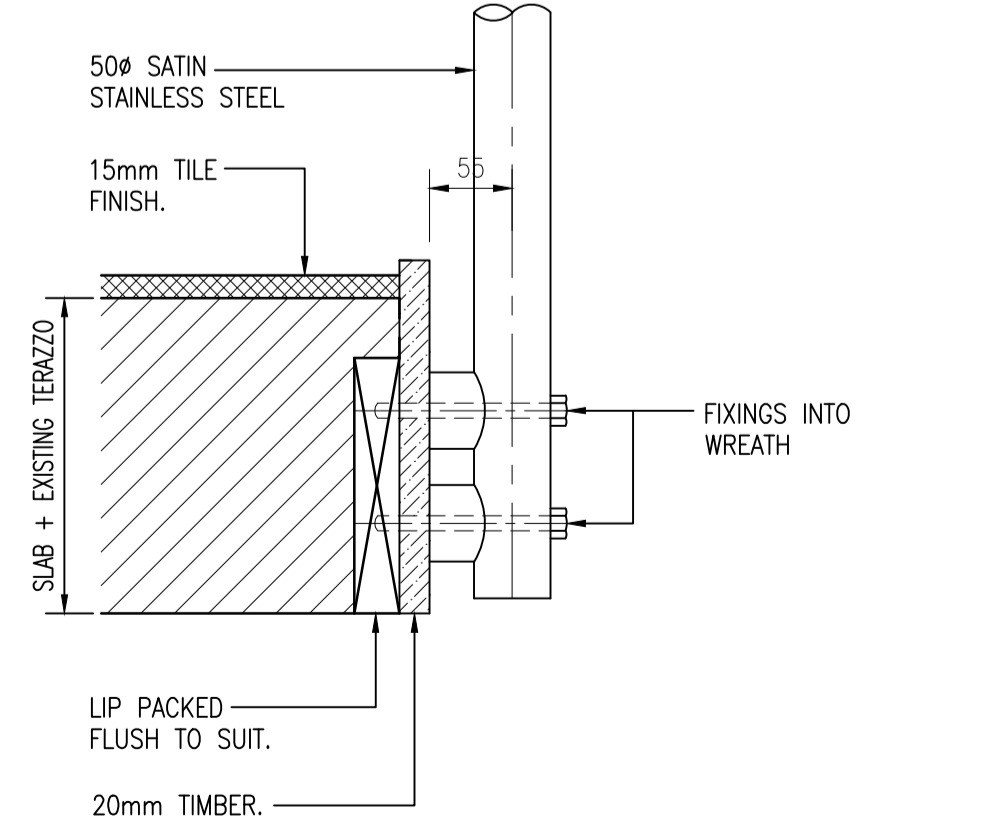
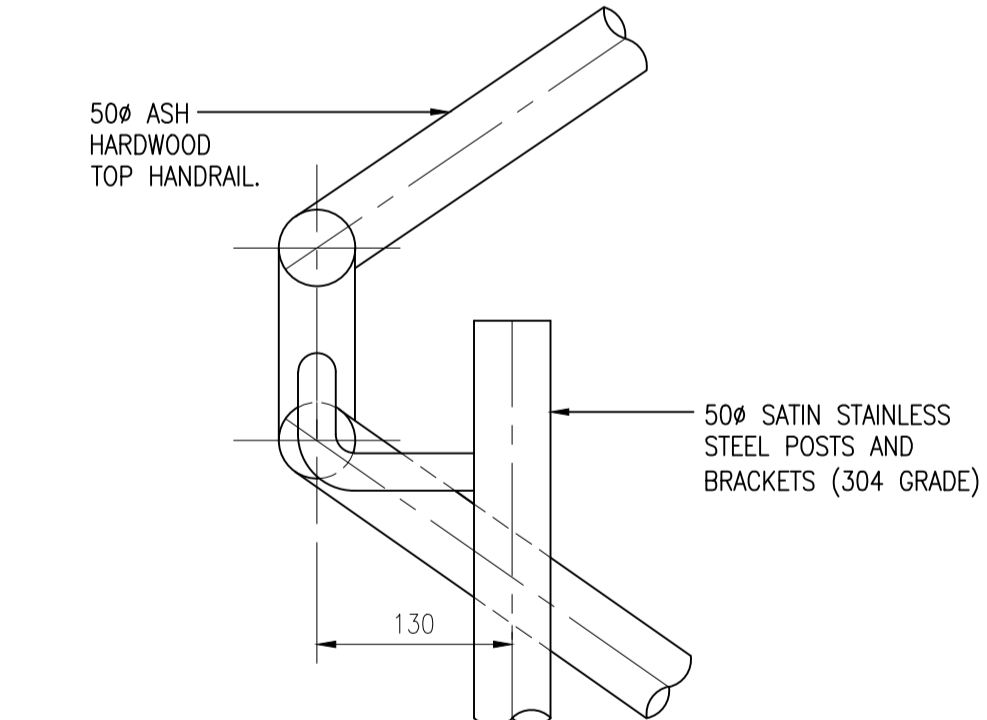
ELEVATION - FLIGHT 2

SCALE : 1:20



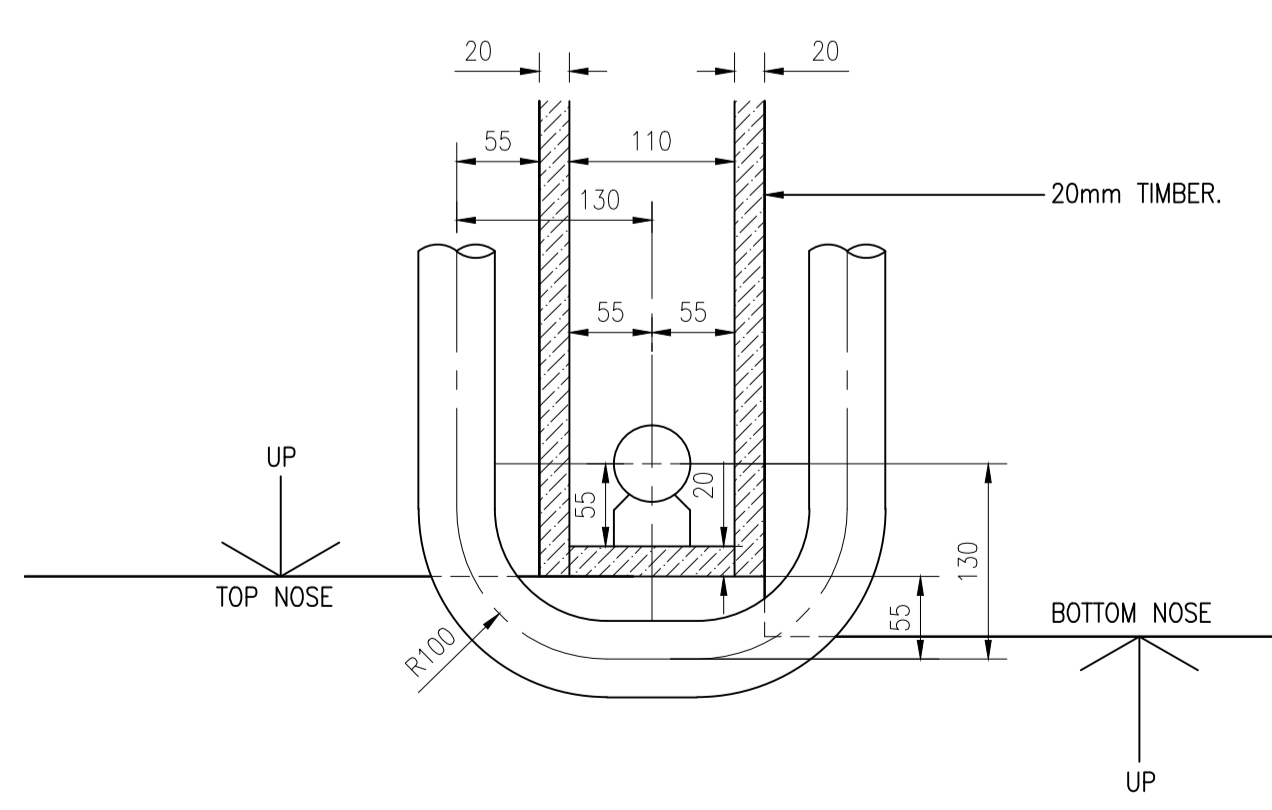
FLIGHT 2 - HANDRAIL ELEVATION

SCALE : 1:20



ELEVATION - BALUSTRADE DETAIL

SCALE : 1:5



PLAN VIEW - BALUSTRADE DETAIL

SCALE : 1:5



SPECIFICATION	
50mm ASH HARDWOOD TIMBER HANDRAIL ON	
50mm BALUSTERS IN SATIN STAINLESS STEEL	
C/W 4No. 12mm MID RAILS.	
NOTE : ALL POST TOPS AND BOTTOMS TO BE FLAT FULLY WELDED.	